



## Woltman bulk meter dry dial for cold water up to 30°C retrofitted for contact maker

### Woltman meter for horizontal and vertical installation PN 10/16

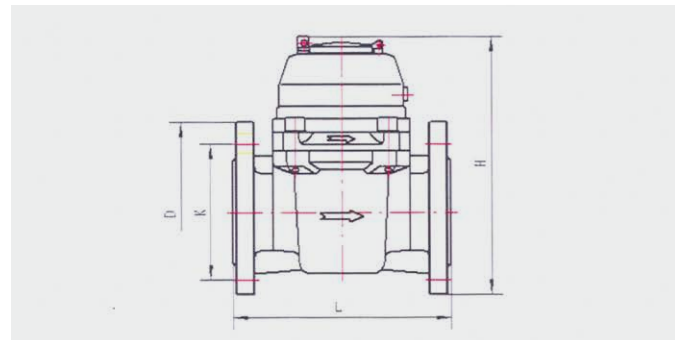
- Any installation position
- Work pressure up to 16 bar (nominal pressure)
- Flange connection acc. to DIN 2501 and DIN 2533
- Overall length acc. to DIN 19625 and DIN ISO 4064
- Dry dial with optimal readable counter





## Features

- MID approved
- Removable measuring insert
- Optimized measuring accuracy in all installation positions by a sealed measuring insert
- Excellent measuring durability due to hydraulic bearing load off
- Wear-resistant plastic bearings
- The entire head area incl. counter and transmitter is 360° rotatable for an easy reading
- Integrated measuring outputs as a standard
- Sensors for (digital) remote reading and (analog) flow rate reading can be installed later at site, without any disadvantage for the validation
- Sensors for forward and backwards reading
- Handling easy to service



## Technical data: Woltman meter WPX

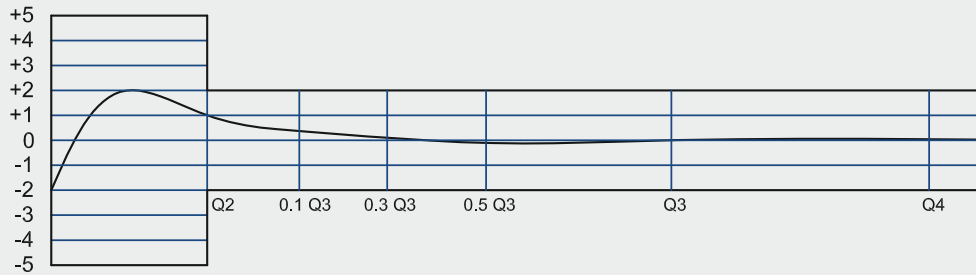
### WPX

Temperature	T		50						
Nominal size	DN	mm	50	65	80	100	125	150	200
Overall length	L	mm	200	200	225	250	250	300	350
Height	h	mm	136	136	136	186	186	186	206
Height	H	mm	213	222	228	290	305	320	368
Outer flange diameter	D	mm	165	185	200	220	250	280	340
Diameter of the hole	K	mm	125	145	160	180	210	240	295
Hole	Number of holes Size		4 M16	4 M16	8 M16	8 M16	8 M16	8 M20	12 M20
Weight	kg		11.5	12.5	15.5	19	23	41.5	52.5
Display range	m <sup>3</sup>		10 <sup>6</sup>				10 <sup>7</sup>		10 <sup>7</sup>
Readability	m <sup>3</sup>		0.001				0.01		0.01
Max. admitted pressure			MAP 16						
Admitted pressure load	bar		from 0.3 up to 16						
Pressure loss			Δp 63						
Damping zone			U0/D0						
Admitted installation position			H, V						
Climatic and mechanical environment	h	mm	Closed areas / from 5°C up to 55°C / mech. class M1						
Min. flow rate	Q <sub>1</sub> H	m <sup>3</sup> /h	0.2	0.315	0.5	0.8	0.8	1.25	2
	Q <sub>1</sub> V	m <sup>3</sup> /h	0.4	0.63	1	1.6	1.6	2.5	4
Transitional flow rate	Q <sub>2</sub> H	m <sup>3</sup> /h	0.32	0.504	0.8	1.28	1.28	2	3.2
	Q <sub>2</sub> V	m <sup>3</sup> /h	0.64	1.008	1.6	2.56	2.56	4	6.4
Permanent flow rate	Q <sub>3</sub>	m <sup>3</sup> /h	40	63	100	160	160	250	400
Overload flow rate	Q <sub>4</sub>	m <sup>3</sup> /h	50	78.75	125	200	200	312.5	500
Measuring range accuracy	Q <sub>3</sub> /Q <sub>1</sub>	H	80						
	Q <sub>3</sub> /Q <sub>1</sub>	V	50						
Ratio	Q <sub>2</sub> /Q <sub>1</sub>		1.6						





### Error curve



### Pressure loss curve

