



Woltman bulk meter dry dial for cold water up to 30°C retrofitted for contact maker

Woltman meter for horizontal installation PN 10/16

- work load up to 16 bar
- Flange connection acc. to DIN 2501 and DIN 2533
- Overall length acc. to DIN 19625 and DIN ISO 4064
- Dry dial with optimum readable counter
- Evacuated counter (IP68); protected against condensation
- MID approved



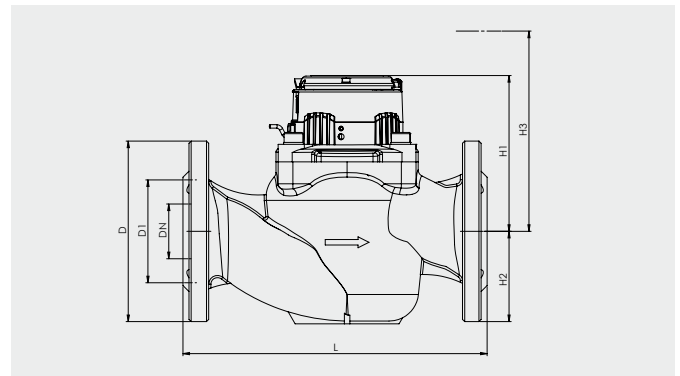


Features

- MID approved
- Super dry dial - no roles in the wet area
- Removable measuring insert
- Integrated measuring outputs as a standard
- Up to two digital outputs of different valences at the same time possible and an analog output
- Excellent measuring durability also for extreme loads
- The entire head area including counter and transmitter is 360° rotatable for an easy reading
- Handling easy to service
- Pre-equipped for remote reading as a standard

Special version

- Higher temperature
- High pressure execution up to 40 bar
- Different flange holes
- Suitable for different mediums
- For different pulse values



Technical data: Woltman meter WSX

Construction

Nominal size	DN	mm	50	65	80	100	150
Permanent flow rate	Q ₃	m ³ /h	25	40	63	100	250
Accessible measuring range	Q ₃ /Q ₁	R	200H	200H	200H	200H	200H
Standard measuring range*	Q ₃ /Q ₁	R	R100H	R100H	R100H	R100H	R100H
Overload flow rate**	Q ₄	m ³ /h	31.25	50	78,75	125	312.5
Min. flow rate**	Q ₁	m ³ /h	0.25	0.4	0.63	1	2,5
Transitional flow rate**	Q ₂	m ³ /h	0.4	0.64	1.01	1.6	4
Pressure loss for Q ₃	Δp	MPa	0.05	0.03	0.02	0.035	0.035
Start up value	–	l/h	50	65	100	110	250
Display range	min	l	0.5	0.5	0.5	0.5	5
	max	m ³	999,999	999,999	999,999	999,999	9,999,999
Max. temperature	T	°C	50				
Max. work pressure	MAP	bar	16				
Pulse value Reed		l/Imp.	100/1000	100/1000	100/1000	100/1000	1000/10,000
Pulse value modulator disk		l/Imp.	10	10	10	10	100

Sizes and weights:

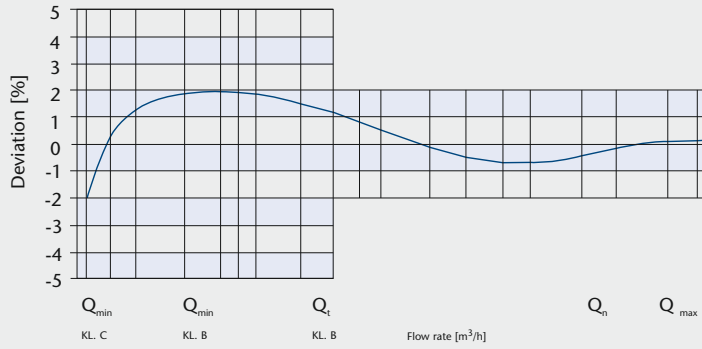
Nominal size	DN	mm	50	65	80	100	150
Overall length*	L	mm	270	300	300	360	500
Height	H1	mm	143	143	190	195	270
Height	H2	mm	85	95	102	114	146
Total height approx.***	H1+H2	mm	228	238	292	309	416
Installation height measuring insert	H3	mm	270	270	370	382	557
Flange diameter	D	mm	165	185	200	220	285
Hole diameter	D1	mm	125	145	160	180	240
No. of screws	–	Pieces	4	4	8	8	8
Size of screw	–	mm	M16	M16	M16	M16	M20
Diameter of the screw hole	–	mm	19	19	19	19	23
Weight		kg	13	18	21	24	58

* Further measuring ranges and lengths on demand ** Values refer to the standard measuring range *** Overall height WSDE + 18 mm





Error curve



Pressure loss curve

