



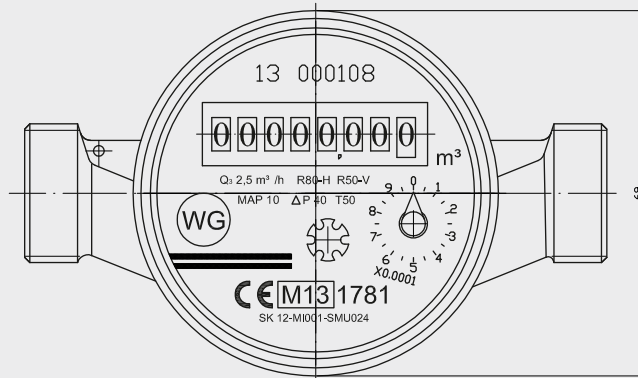
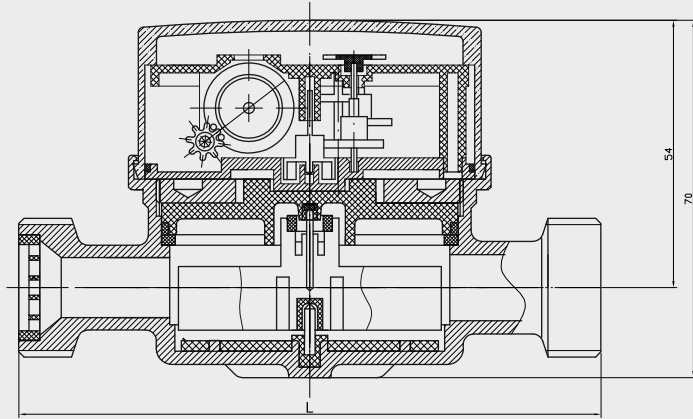
## Apartment water meter "Standard" – the classical apartment water meter

- Turnable 8-digits-roller counter, readable in any position
- Super dry
- For cold and warm water
- For the following installation positions: horizontal, vertical, downpipe
- MID approved, R H80/V50; special version R H160/V63
- Highest measuring accuracy
- Absolute corrosion resistance

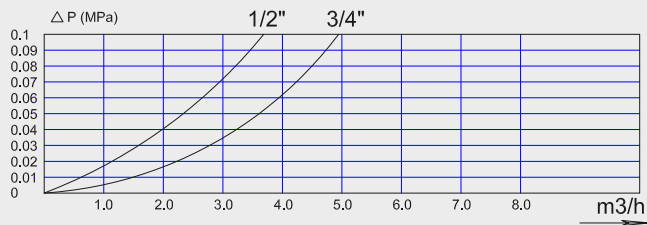




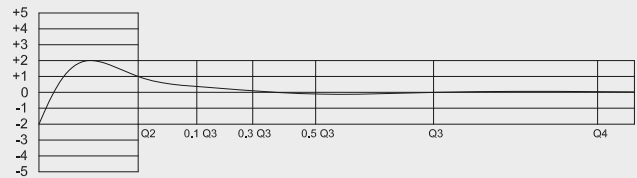
**Technical data: apartment water meter "Standard"**



**Pressure loss curve**



**Error curve**





## Technical data: apartment meter "Standard"

### ETW - with 8-digits roller counter

Temperature	T		50. 90			
Nominal size	DN	mm	15		20	
Overall length	L	mm	60	80/110	110	130
Minimal flow rate	Q <sub>1</sub> H	m <sup>3</sup> /h	0.03125	0.03125	0.02	0.05
	Q <sub>1</sub> V	m <sup>3</sup> /h	0.0625	0.05	0.032	0.08
Transitional flow rate	Q <sub>2</sub> H	m <sup>3</sup> /h	0.05	0.05	0.032	0.08
	Q <sub>2</sub> V	m <sup>3</sup> /h	0.1	0.08	0.0512	0.128
Permanent flow rate	Q <sub>3</sub>	m <sup>3</sup> /h	2.5	2.5	1.6	4
Overload flow rate	Q <sub>4</sub>	m <sup>3</sup> /h	3.125	3.125	2	5
Measuring accuracy range	Q <sub>3</sub> /Q <sub>1</sub>	H	80			
	Q <sub>3</sub> /Q <sub>1</sub>	V	40	50		
Display range max.			99.999			
Display range min.	m <sup>3</sup>		0.00005			
Admitted pressure load	m <sup>3</sup>		MAP10			
Pressure stage	-		from 0.3 up to 10			
Pressure loss	bar		Δp40			
Damping zone	-		U0, D0			
Installation position	-		H, V			
Climatic and mechanical environment	-		Closed areas/from 5°C up to 55°C/Klass M1			
Ratio	-		1.6			

### R160

Temperature	T		50, 90			
Nominal size	DN	mm	15		20	
Minimal flow rate	Q <sub>1</sub> H	m <sup>3</sup> /h	0.0156		0.025	
	Q <sub>1</sub> V	m <sup>3</sup> /h	0.04		0.064	
Transitional flow rate	Q <sub>2</sub> H	m <sup>3</sup> /h	0.025		0.04	
	Q <sub>2</sub> V	m <sup>3</sup> /h	0.064		0.103	
Permanent flow rate	Q <sub>3</sub>	m <sup>3</sup> /h	2.5		4	
Overload flow rate	Q <sub>4</sub>	m <sup>3</sup> /h	3.125		5	
Measuring accuracy range	Q <sub>3</sub> /Q <sub>1</sub>	H	160 *)			
	Q <sub>3</sub> /Q <sub>1</sub>	V	63 *)			
Ratio	-		1.6			

\*) Not for overall length of 60 mm

### Composit

Nominal size	DN	mm	15		20	
Thread			G ½"		G ¾"	
Overall length	L	mm	80/110		130	
Weight	kg		0.21/0.22		0.26	

