

Mounting instructions

Bulk water meters

1. Important information

The water meter shall be installed or exchanged only by trained and briefed professionals such as sanitary, heating and air conditioning service technicians. Basic instructions shall not be agreed.

2. Delivery / transportation / storage

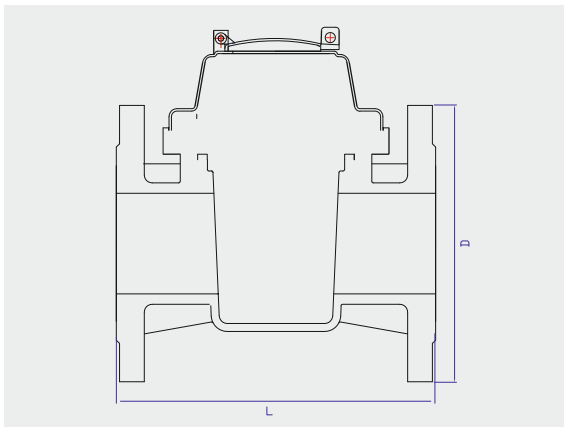
As a standard, the package contains the declaration of conformity, the mounting instructions, the water meter and, where required, accessories such as gaskets, seals and wire. The water meter shall not be subject to shocks or vibrations. Do not store the water meter at temperatures above +50 °C and make sure to keep it dry and frost-protected.

3. Flow profile sensitivity acc. to DIN EN 14154-1 Water Meters Part 1

U0/D0 >> meaning: the mounting of inlet and outlet zones is not required

4. Mounting

Close the main valve. Decompress the pipe by opening the downstream tap connections. To avoid damage, the pipe shall be thoroughly flushed before mounting the water meter. Gaskets have also to be thoroughly cleaned. Mount the water meters so that they are continuously filled with water during measuring in order to avoid formation of air bubbles. Hence, mount the meter frost-proof at the lowest possible mounting point. Always respect the admitted mounting position and the correct flow direction (see the arrow on the meter). Don't forget the flange gaskets. These should not extend into the pipe. The thread connection shall be tightened with appropriate tools and the mounting shall be stress-free. The shut-off devices shall be opened slowly in order to avoid pressure blows. Check for leakage immediately. The pipe pressure and the medium temperature shall not exceed the indications on the type label. Several components for the flow regulation (such as gaskets) shall be mounted behind the meter.



Dimensions:	L	D
DN 50	200	165
DN 65	200	185
DN 80	225	200
DN 100	250	220
DN 125	250	250
DN 150	300	280
DN 200	350	340

5. Unmounting / Disposal of waste

The water meter shall be disposed acc. to the valid local environmental regulations.

as of 2016/03

Subject to technical modifications