

„WG-Electronicflow“

Single Jet wall mounting water meter ETW-€ / ETW-P-€
electronic with LCD display

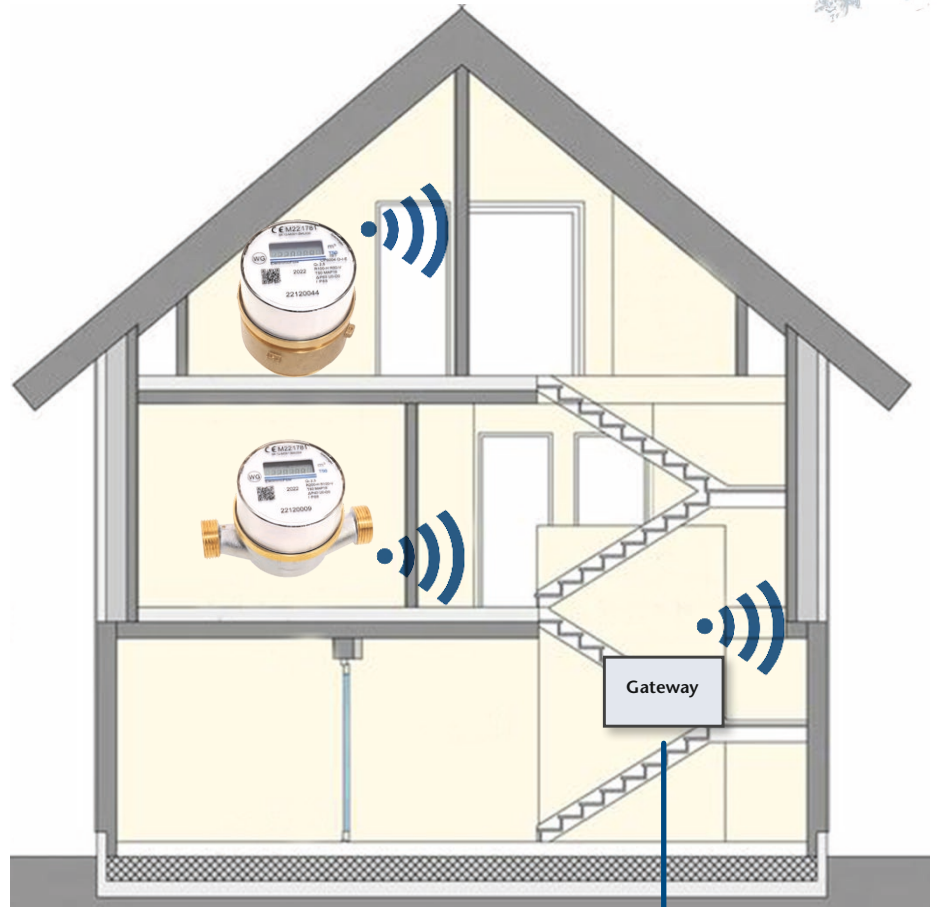
- MID Measuring class: Horizontal R200 / Vertical R100
- Radio type: 868 MHz (T1 / C1), wM-Bus, OMS-compatible
- Protection: IP68
- Temperature range: cold water up to T50°C / warm water up to T90°C
- Configuration with NFC interface
- Alert for: manipulation, leakage and pipe break, battery status, transmission error
- Forward and backward flow recognition
- Long term memory for up to 15 end of the month values



WG-ElectronicFlow

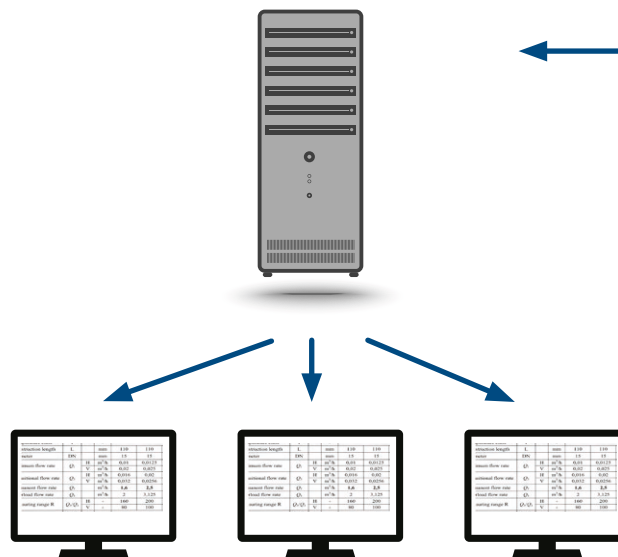
Remote reading

WALK-BY



GSM

REMOTE DATA TRANSMISSION





WG-ElectronicFlow

Technical Data

ETW-E

| Temperature | T | | - | 50° / 90° | | | | |
|------------------------|--------------------------------|---|-------------------|------------|------------|------------|------------|----------|
| Overall length | L | | mm | 80 | 110 | 110 | 115 | 130 |
| Nominal size | DN | | mm | 20 | 15 | 15 | 15 | 20 |
| Minimum flow volume | Q ₁ | H | m ³ /h | 0.0125 | 0.01 | 0.0125 | 0.0125 | 0.02 |
| | | V | m ³ /h | 0.025 | 0.02 | 0.025 | 0.025 | 0.04 |
| Transitional flow rate | Q ₂ | H | m ³ /h | 0.02 | 0.016 | 0.02 | 0.02 | 0.032 |
| | | V | m ³ /h | 0.0256 | 0.032 | 0.0256 | 0.0256 | 0.064 |
| Permanent flow rate | Q ₃ | | m ³ /h | 2.5 | 1.6 | 2.5 | 2.5 | 4 |
| Overload flow rate | Q ₄ | | - | 3.125 | 2 | 3.125 | 3.125 | 5 |
| Measuring class R | Q ₃ /Q ₁ | H | - | 200 | 160 | 200 | 200 | 200 |
| | | V | - | 100 | 80 | 100 | 100 | 100 |
| Rapport/Ratio | Q ₂ /Q ₁ | | - | 1.6 | | | | |

ETW-P-E

| Temperature | T | | - | 50° / 90° | | | | |
|------------------------|--------------------------------|---|-------------------|------------|------------|------------|------------|----------|
| Overall length | L | | mm | 80 | 110 | 110 | 115 | 130 |
| Nominal size | DN | | mm | 15 | 15 | 15 | 15 | 20 |
| Minimum flow volume | Q ₁ | H | m ³ /h | 0.0125 | 0.01 | 0.0125 | 0.0125 | 0.02 |
| | | V | m ³ /h | 0.025 | 0.02 | 0.025 | 0.025 | 0.04 |
| Transitional flow rate | Q ₂ | H | m ³ /h | 0.02 | 0.016 | 0.02 | 0.02 | 0.032 |
| | | V | m ³ /h | 0.0256 | 0.032 | 0.0256 | 0.0256 | 0.064 |
| Permanent flow rate | Q ₃ | | m ³ /h | 2.5 | 1.6 | 2.5 | 2.5 | 4 |
| Overload flow rate | Q ₄ | | - | 3.125 | 2 | 3.125 | 3.125 | 5 |
| Measuring class R | Q ₃ /Q ₁ | H | - | 200 | 160 | 200 | 200 | 200 |
| | | V | - | 100 | 80 | 100 | 100 | 100 |
| Rapport/Ratio | Q ₂ /Q ₁ | | - | 1.6 | | | | |





WG-ElectronicFlow

General Technical Data

ETW-E | ETW-P-E

| | | | |
|--|----------------|---------------------------------------|----|
| Nominal size DN | mm | 15 | 20 |
| Display range | m ³ | 99 999 | |
| Measurement resolution | m ³ | 0.001 | |
| Permitted maximum pressure | - | MAP10, MAP16 | |
| Operating pressure range | bar | 0.3 up to 10 | |
| Pressure loss | - | Δp 40 | |
| Temperature | - | T50°, T90° | |
| Stabilization distance | - | U0; D0 | |
| Mounting position | - | H (Counter upside), V | |
| Climatic and mechanical conditions/environment | - | closed space from 5°C up to 55°C / M1 | |
| Electromagnetic conditions / environment | - | E2 | |

| | |
|-----------------------------|--|
| Starting amount: | 8L |
| Encryption: | AES 128, Mode 5 |
| Transmission capacity: | 14 dBm |
| Automatic radio activation: | with 10 L/h for 2 min or directly with NFC maximum |
| Stabilization distance: | U0; D0 |
| Battery: | 3V Lithium battery |
| Life span: | 10 years |

Display / Continuous loop

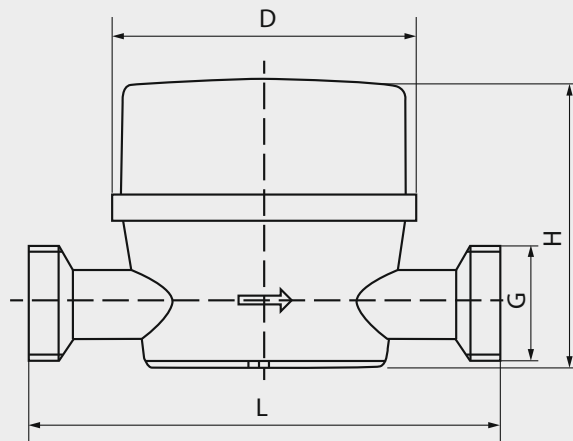
| | |
|-------------------------------|---|
| Total flow (Forward-Backward) | ▼ |
| Backward flow | ▼ |
| Current flow | ▼ |
| Billing date | ▼ |
| Value at billing date | ▼ |
| CRC-Code | ▼ |
| All off | ▼ |
| All on | ▼ |





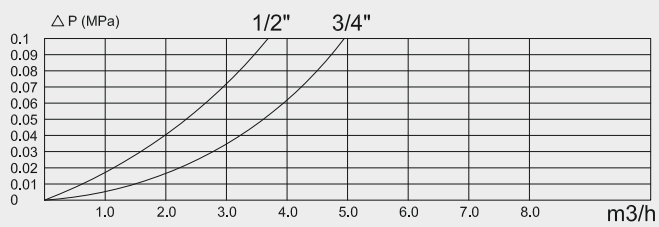
WG-ElectronicFlow

Dimensions and weight

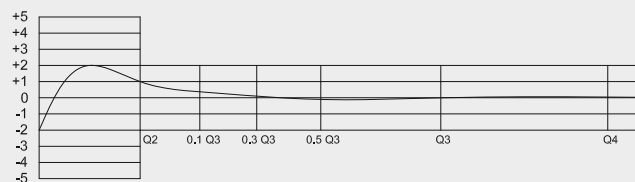


| Nominal size | DN15 ETW-E | DN20 ETW-E | DN15 ETW-P-E | DN20 ETW-P-E |
|--------------------------------|--------------------|---------------|--------------------|-----------------|
| G | 1/2" | 3/4" | 1/2" | 3/4" |
| Overall length [mm] - L | 80 / 110 / 115 | 130 | 80 / 110 / 115 | 130 |
| Diameter of the meter [mm] - D | 69.5 | 69.5 | 76 | 76 |
| Weight - kg | 0.39 / 0.44 / 0.45 | 0.50 | 0.24 / 0.25 / 0.26 | 0.29 |
| Height - H | 70 | 70 | 80 | 80 |

Pressure loss



Error curve





WG-ElectronicFlow

Approvals / Certificates / Standards

- EU Type examination certificate acc. to directive 2014 / 32 / EU (MID)
- OIML R49
- EN ISO 4064
- KTW-BWGL (material)

Accessories on request



Protective cap



Screw connection and gasket



Tap meter screw connection set



Wash stand meter

